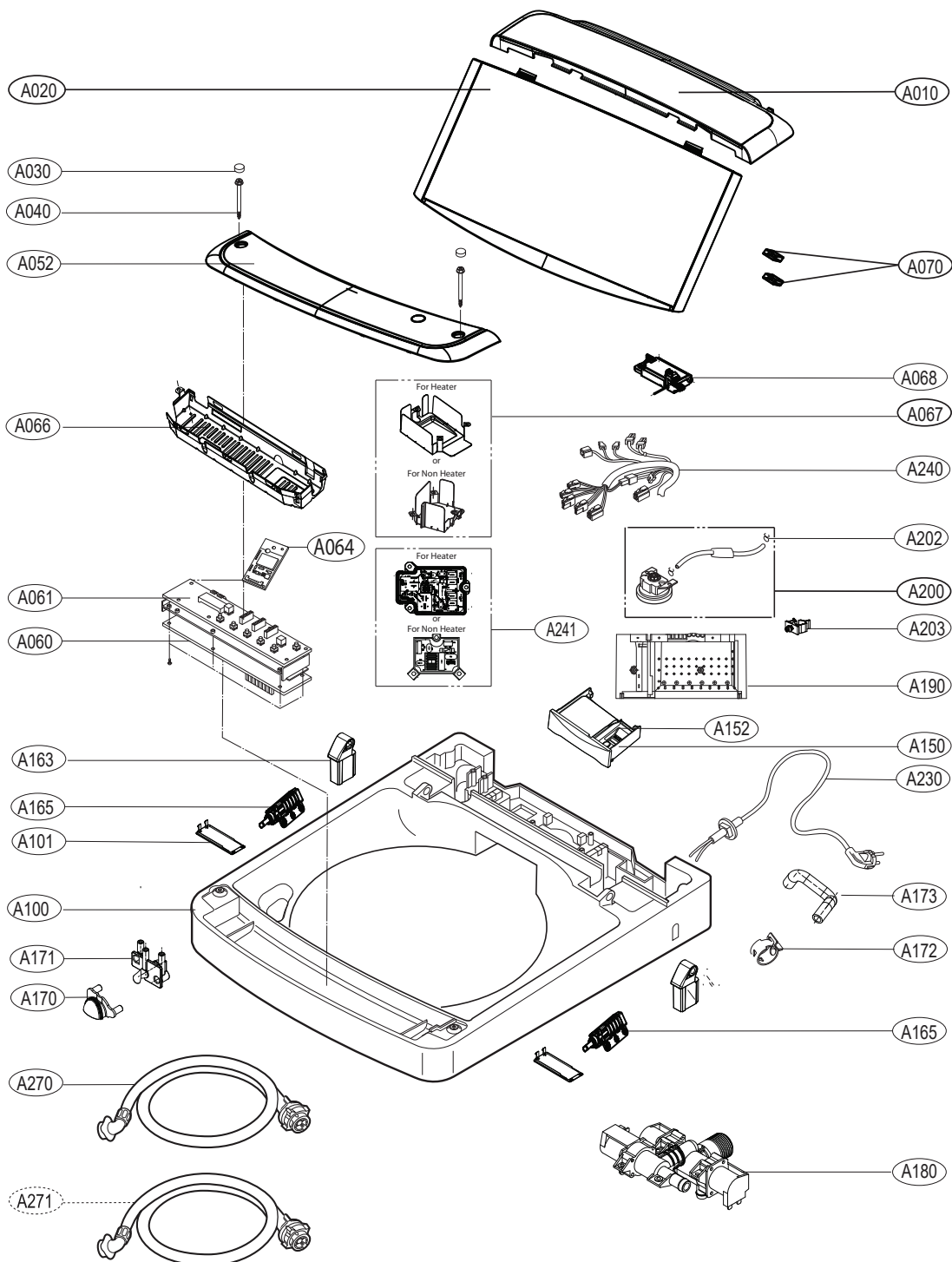



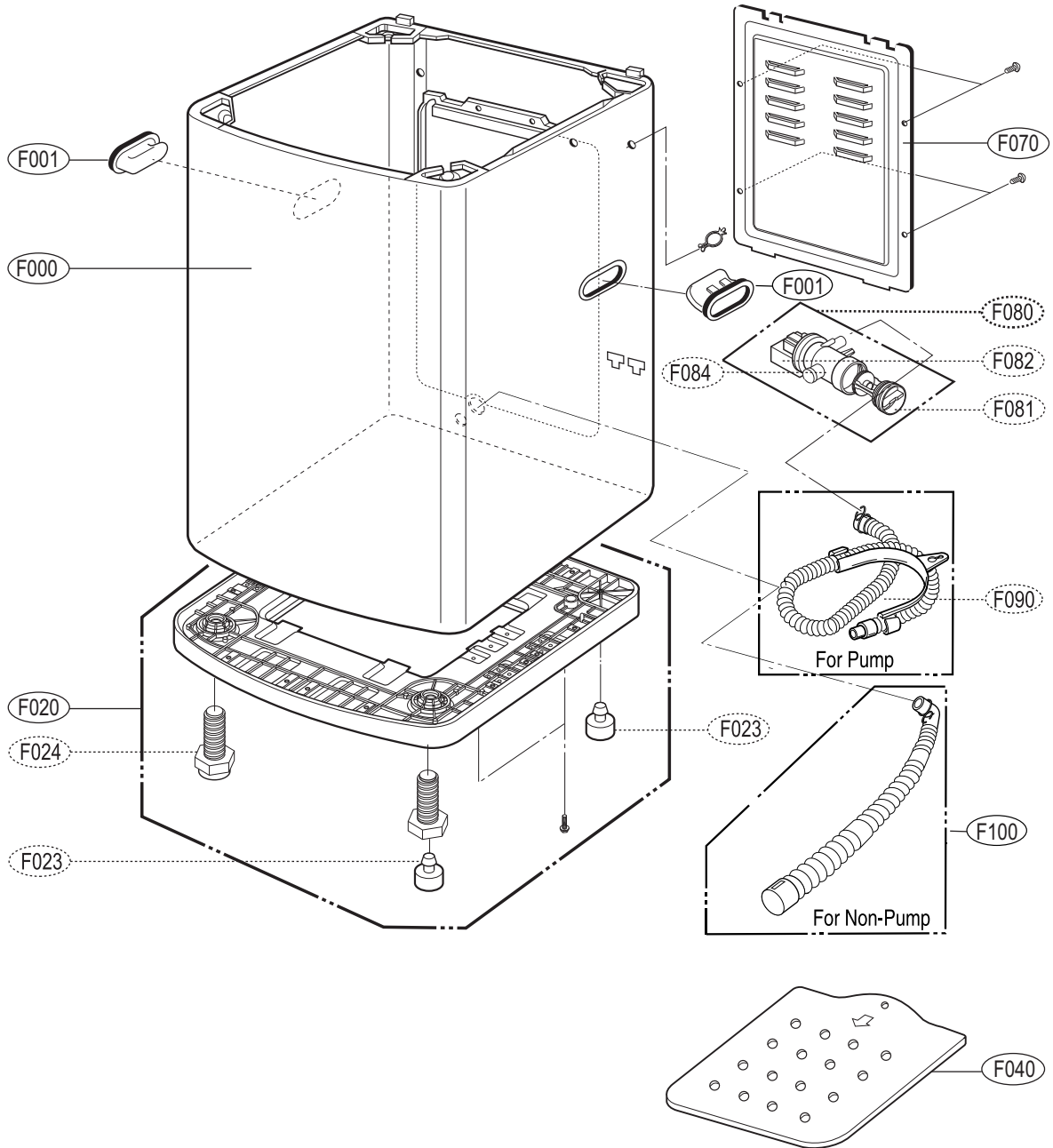
5-1. THE EXPLODED VIEW OF TOP COVER ASSEMBLY

○----- : Non-Service Part




5-2. THE EXPLODED VIEW OF OUT CASE ASSEMBLY

 : Non-Service Part



5-3. THE EXPLODED VIEW OF TUB ASSEMBLY

 : Non-Service Part

